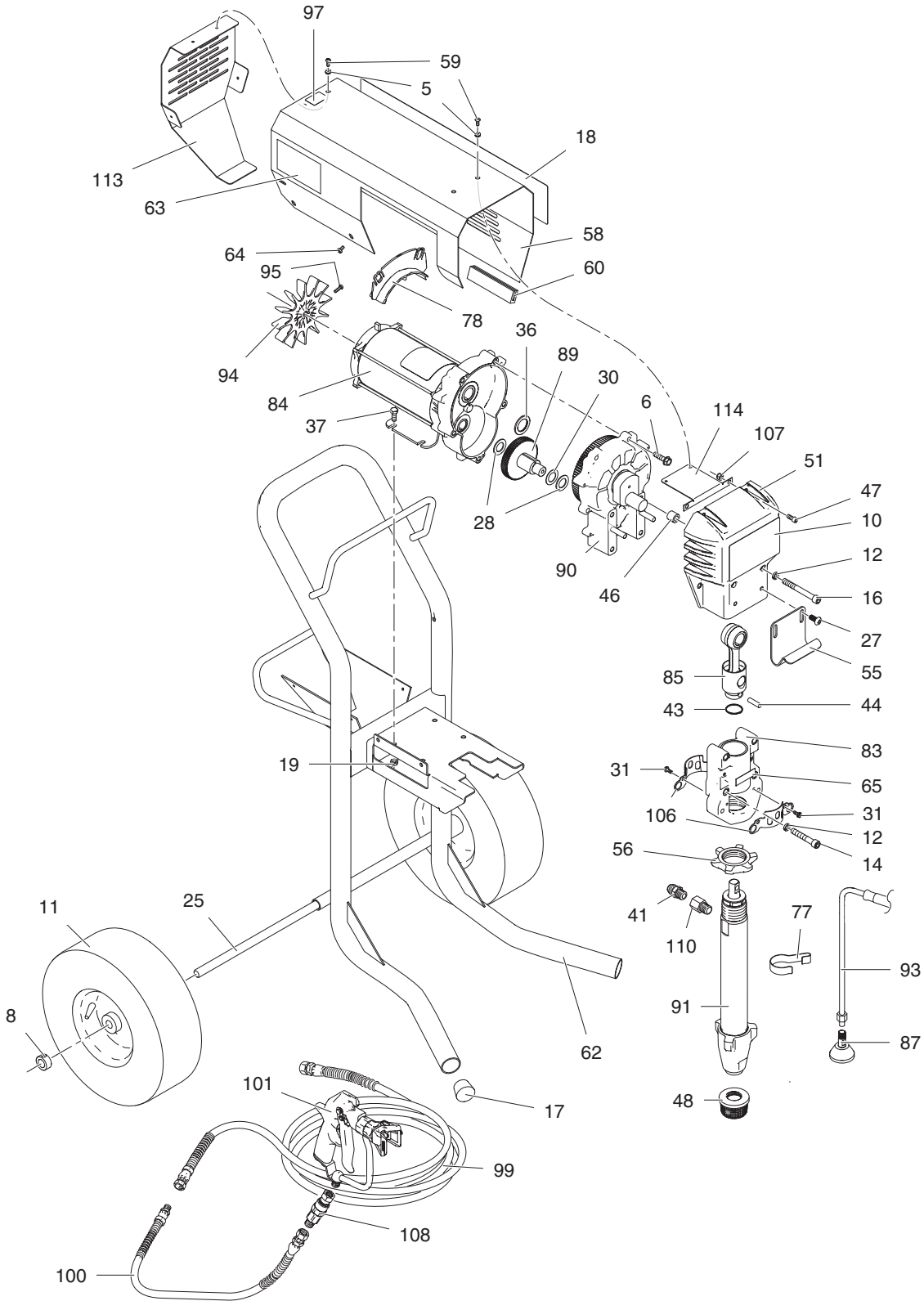


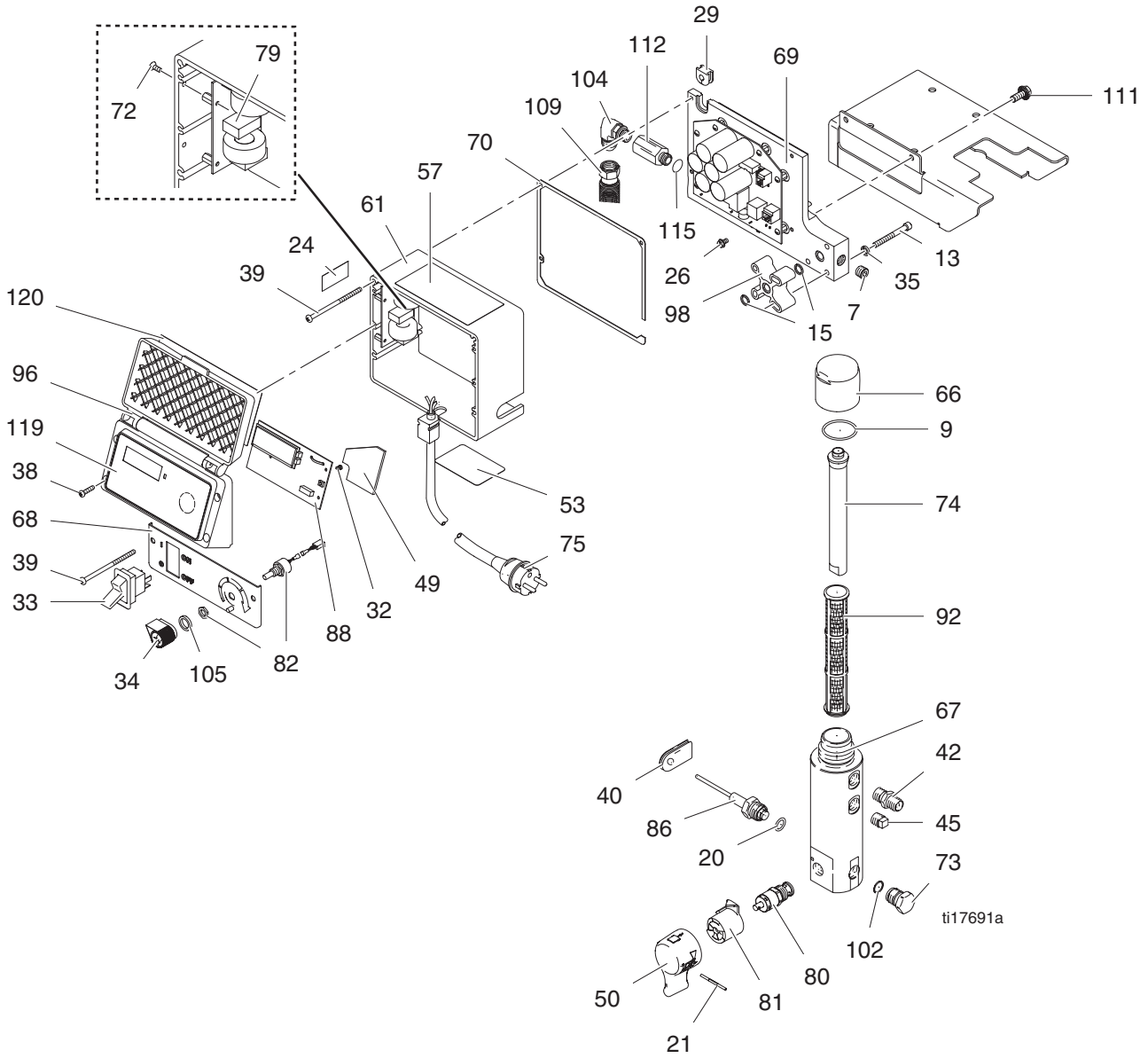
# Parts



## Parts List

Ref.	Part	Description	Qty.	Ref.	Part	Description	Qty.
5	301135	GROMMET	10	58	16K546	COVER	1
6	15C753	SCREW, mach, hex wash HD	5	59	110037	SCREW, mach, pnh	6
8	143029	COLLAR, screw, set (special ID)	2	60	865180	TRIM, edge, rubber	1
10	16F596	LABEL, Airlessco, TS1500, front	1	62	16K542	FRAME, cart	1
11	301165	WHEEL, pneumatic	2	64	110637	SCREW, mach, pan head	4
12	106115	WASHER, lock (hi-collar)	4	65	187437	LABEL, torque	1
14	114666	SCREW, cap, socket head	2	77	198542	CLIP, spring	1
16	C19834	SCREW, cap, socket HD	2	78	278075	BRACKET, wire	1
17	301134	PLUG, neoprene	2	83	287602	HOUSING, bearing, black	1
18	16F597	LABEL, Airlessco, TS1500, right	1	84	257187	MOTOR, electric, C104	1
19	112746	NUT, lock, nylon, thin pattern	4	85	241279	ROD, connecting	1
25	866025	AXLE	1	87	241920	DEFLECTOR, threaded	1
27	867529	SCREW, screw 5/16-18 x .75 ph HD	2	89	244265	GEAR, combination	1
28	114672	WASHER, thrust	2	90	287295	HOUSING, drive	1
30	114699	WASHER, thrust	1	91	249059	PUMP, displacement, HD	1
31	118444	SCREW, mach, slot hex wash HD	4	93	287952	HOSE, drain	1
36	116192	WASHER, thrust	1	94	15D088	FAN, motor	1
37	100057	SCREW, cap, hex HD	4	95	115477	SCREW, mach, torx pan HD	1
41	117608	FITTING, nipple, straight	1	97	15Y118	LABEL, Made in the USA	1
43	183169	SPRING, retaining	1	99	865675	HOSE, paint hose 3/8 in. x 50	1
44	183210	PIN, str, hdls	1	100	867739	HOSE, whip, 1/4 in. x 5 LG	1
46	16K551	SPACER, front cover	2	101	24E382	KIT, gun, mastic, 500	1
47	121112	SCREW, cap, socket head	2	106	15C762	SHIELD, pump rod	2
48	112604	STRAINER, (1-11 1/2 NPSM)	1	107	102040	NUT, lock, hex	2
51	16K547	COVER, front	1	108	239663	SWIVEL, straight	1
55	301105	HOOK	1	110	150286	ADAPTER	1
56	193031	NUT, retaining	1	113	16K672	COVER, back shroud	1
				114	16K629	BRACKET, shroud	1

# Parts



## Parts List

Ref.	Part	Description	Qty.	Ref.	Part	Description	Qty.
7	100721	PLUG, pipe	1	69	258965	CONTROL, board, ultra 240V	1
9	117285	PACKING, o-ring	1	70	15D036	GASKET, control box	1
13	C19817	SCREW, cap, socket head	3	72	119228	SCREW, mach, flat HD	4
15	121513	PACKING, square ring	2	73	248314	PLUG	1
20	111457	PACKING, o-ring	1	74	15C766	TUBE, diffusion	1
21	15C972	PIN, spring	1	75	15D528	CORD, power, 240V	1
24	342425	LABEL, label, high voltage	1	79	257905	CONTROL, board	1
26	114391	SCREW, grounding	1	80	24A381	VALVE, prime, heavy duty	1
29	15V996	GROMMET, motor lead	1	81	24A382	BASE, valve, heavy duty	1
32	115522	SCREW, mach, pnh	3	82	256219	POTENTIOMETER, assembly	1
33	15D527	SWITCH, rocker, 240V	1	86	243222	TRANSDUCER, pressure control	1
34	116167	KNOB, potentiometer	1	88	287671	DISPLAY, LCD	1
35	105510	WASHER, lock, spring (hi-collar)	3	92	244067	FILTER, fluid	1
38	116252	SCREW, #10, taptite phil	4	96	287605	COVER, control, black	1
39	112381	SCREW, mach, pan head	4	98	15F844	SPACER, manifold	1
40	15D033	GROMMET, transducer	1	102	15D541	SEAL, washer	1
42	162485	ADAPTER, nipple	1	104	118896	FITTING	1
45	104813	PLUG, pipe	1	105	15C973	GASKET	1
49	15E008	PAD, foam	1	109	15F017	HOSE, coupled, 1/2 x 16.00	1
50	15V591	HANDLE, prime valve, heavy duty	1	111	110963	SCREW, cap, flange head	2
57▲	16G596	LABEL, warning icons intl	1	112	16K671	ADAPTER, power bar fitting	1
61	15D431	BOX, control, 240V	1				
66	15C765	CAP, filter	1				
67	15C838	BASE, filter	1				
68	15C947	PANEL, control	1				

▲ Replacement Danger and Warning labels are available at no cost.