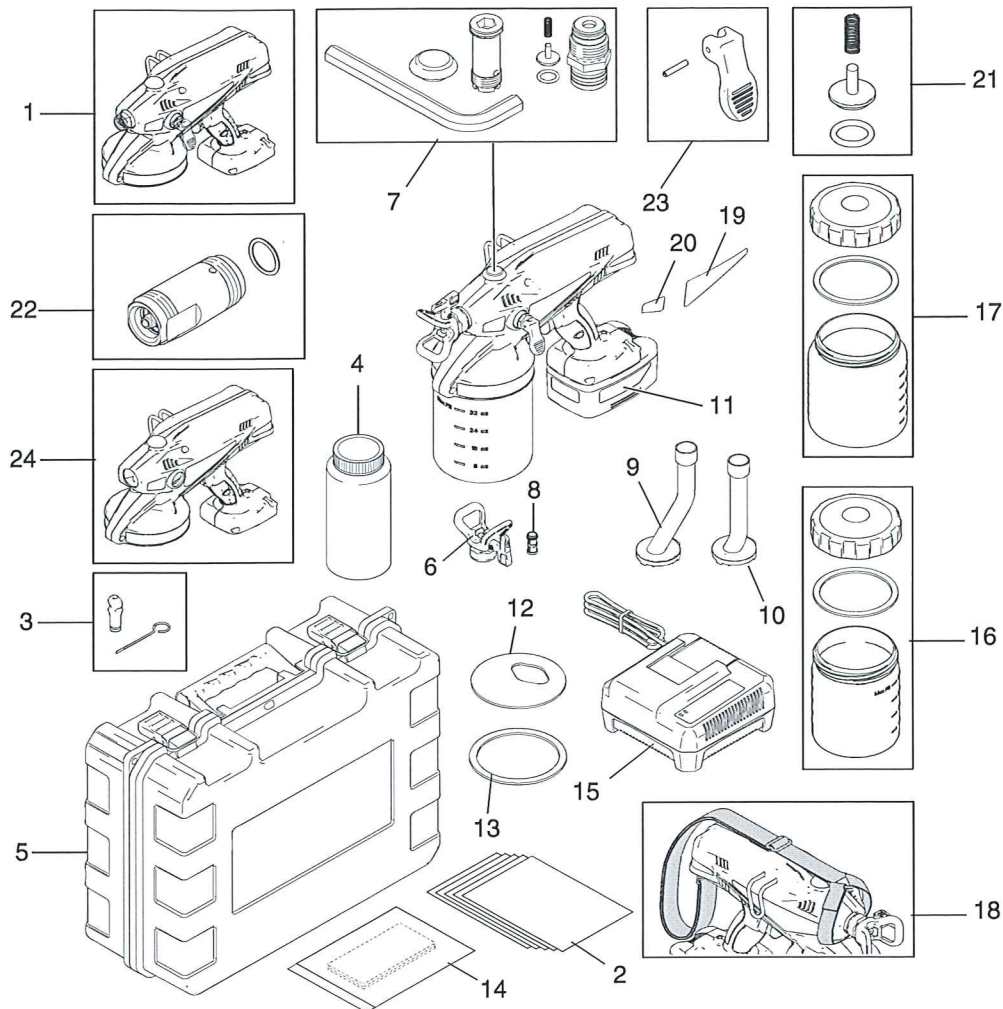


## Deleliste Airlessco MP18 batteridrevet HTmalersprøyte

### Replacement Parts and Kits



Ref.	Part	Description
1	262583	Sprayer, replacement (no tip, battery, suction tube, or material cup)
2	16D562	Liner, replacement (10 pack)
3	24F045	Fine Finish Optimizer (with Cleaning Tool) 2-Pack
4	253574	Pump Armor (1 L)
5	24F077	Storage Case
6	PST211	Tip/Guard Assembly
	PST213	211 (included with sprayer)
	PST315	213
	PST411	315
	PST413	411 (included with sprayer)
	PST413	413
	PST515	515 (factory-installed on sprayer)
7	16D563	Repair Kit (includes inlet/outlet valve wrench)
8		Tip Filter
	24E376	Kit, 1-pack
	24F039	Kit, 3-pack
9	24F044	Specialized Suction Tube with screen and o-rings (for spraying floors)
10	24F043	Standard Suction Tube with screen and o-rings (for walls and ceilings)
11	16D558	Lithium Ion Premium Power Battery

Ref.	Part	Description
12	16E403	Sprayer Cup Seal
13	16C650	Material Cup Seal
14	▲24E609	Warning Labels Kit (ENG/FRA/SPA)
	▲24E552	Battery Label (European Languages)
	▲24E553	Charger Label (European Languages)
	▲24E554	Sprayer Label (European Languages)
	24H358	MP18 Label Kit
15	16D799	Lithium Ion Battery Charger
16	16D560	Material Cup (1 L) cover and seal
17	16D561	Material Cup (1.5 L) cover and seal
18	24E377	Shoulder Strap
19	16G746	Label, Sprayer, MP18, Main
20	16G747	Label, Sprayer, MP18, Front
	24D425	Lid with gasket (not shown)
	106553	Suction Tube o-ring (not shown)
21	262602	Inlet Valve Kit
22	262437	Needle Assembly Kit
23	262604	Prime Valve Handle
24	262679	Enclosure, replacement
25	16G746	Label, brand, Airlessco (not shown)

▲ Replacement Danger and Warning labels, tags, and cards are available at no cost.

Filnavn: 02-24E822-pl

Dato: 20.02..2012

Rev.: 0

#### Clemco Norge AS

Tvetenveien 156 – Postboks 104 Tveita, 0617 Oslo

Tel. 23 12 51 20 – Faks 23 12 51 40 – E-post: clemco@clemco.no – Internett: www.clemco.no

Side 1/1